

# Waggz®

Built to impress and ready to work – equipment by and for pet groomers

## WZ-230N / WZ-230NL User Manual

### Waggz Roll-Lift

Solid Tub with Roll-Out Stairs  
WZ-230N



Version A

### Waggz XL Roll-Lift

XL Solid Tub with Roll-Out Stairs  
WZ-230NL



Version B

The image shown here is indicative only. If there is inconsistency between the image and the actual product, the actual product shall govern.

## 1. TECHNICAL SPECS

### WZ-230N

<b>Basin Size</b>	50 x 28.75 in 、 127 x 73 cm	<b>Door Style</b>	Lift out
<b>Height</b> (Floor to Bottom of Basin)	37.5 in 、 95.2 cm	<b>Door Width</b>	16 inches 、 40.6 cm
<b>Rolling Mechanism</b>	Hair-proof casters and medical-grade foot brake	<b>Frame Material</b>	Polished stainless steel
<b>Max Weight Capacity</b>	265 lb 、 120 kg	<b>Product Net Weight</b>	176 lb 、 80 kg (3-person lift)

### WZ-230NL

<b>Basin Size</b>	60 x 28.75 in 、 152.4 x 73 cm	<b>Door Style</b>	Lift out
<b>Height</b> (Floor to Bottom of Basin)	37.5 in 、 95.2 cm	<b>Door Width</b>	20 inches 、 50.8 cm
<b>Rolling Mechanism</b>	Hair-proof casters and medical-grade foot brake	<b>Frame Material</b>	Polished stainless steel
<b>Max Weight Capacity</b>	265 lb 、 120 kg	<b>Product Net Weight</b>	220 lb 、 100 kg (4-person lift)

## 2. CONTACT INFORMATION

Thank you for your purchase! This quick-start guide will help you get the most out of your new Waggz grooming tub. If you have any questions, need replacement parts, or want to purchase additional products, just get in touch!

**Visit** 910 Canal Pl, City of Industry, CA 91746  
**Call** 626-549-1212  
**Email** info@waggz.com  
**Follow** @waggzgrooming

## 3. GENERAL GUIDANCE

### UPON ARRIVAL

Please carefully examine your grooming tub and review the packing list. If you notice any missing parts or damaged components, notify Waggz immediately.

**Do not attempt to disassemble the table before contacting Waggz.**

### CLEANING, CARE, AND MAINTENANCE

Waggz grooming tubs are built to impress and ready to work. Regular cleaning and routine maintenance will keep it that way! Follow these steps to extend the life of your tub and protect your Waggz 2-year warranty:

### WORKING CONDITIONS

**Temperature:** avoid extreme cold (< 40°F) and extreme heat (>104°F)

**Humidity:** avoid extreme dryness (< 20%) and extreme humidity (>90%)

### DAILY CLEANING

Remove hair and dander from the tub, then wipe clean with a mild detergent. Please avoid using anti-grease detergents and citrus-based cleansers, which may damage the finish on your tub. Stains should be promptly treated with 1 part ethyl alcohol to 20 parts water, then rinse well. Dry all surfaces between uses.

### QUARTERLY INSPECTION

- Complete a visual inspection of all equipment and accessories
- Check the tightness and state of wear on all screws, bolts, bushings, and pins
- Check that wheels are attached securely and roll smoothly with clean treads
- Check the stability and installation of all adjustable components
- Check that the foot lock correctly activates the brake and works efficiently

### NON-ROUTINE MAINTENANCE


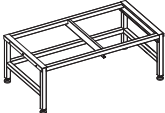













- For safety reasons and to avoid invalidating the warranty, Waggz alone must diagnose and organize action for any faults relating to the roll-out stair casters and brake.
- Maintenance technicians must be familiar with the contents of this instruction booklet and may only use original Waggz parts and components.
- Always complete a full safety inspection of the tub after rough handling, falls, drops, or bumps.



## WARNING

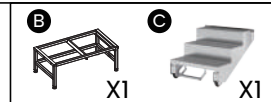
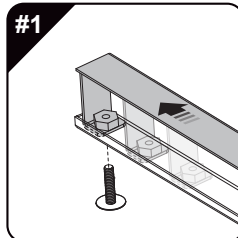
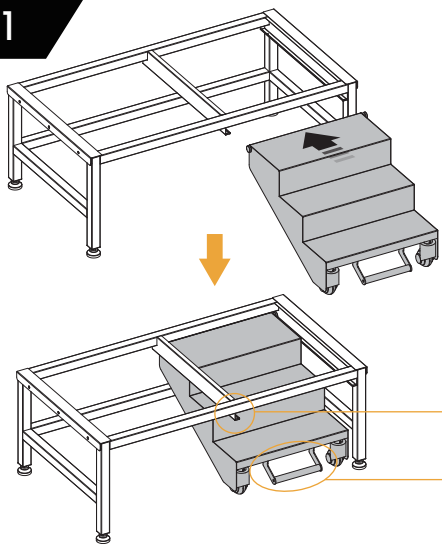
- IF YOU EVER HAVE SAFETY CONCERNS ABOUT THE CONDITION OF COMPONENTS, IMMEDIATELY DISABLE THE EQUIPMENT TO PREVENT USE UNTIL SAFETY RISKS HAVE BEEN REMOVED OR RESOLVED.
- IMMEDIATELY RECORD AND REPORT ANY DEFECTS OR DAMAGES DIRECTLY TO THE MANUFACTURER.

### 3. PACKING LIST

<b>A</b>  Grooming tub with 3 folding splash guards and lift-out door X1 set	<b>B</b>  Rack base X1 set	<b>C</b>  Stair with 2 wheels and locking foot brake X1 set	<b>D</b>  Metal storage shelves X2 sets	<b>E</b>  Left floor basin cover X1 set	<b>F</b>  Right floor basin cover X1 set	<b>G</b>  Thermostatic shower faucet X1 set	
<b>H</b>  Adjustable shower head X1 set	<b>I</b>  56-inch shower hose X1 set	<b>J</b>  Shower head holder and screws X1 set	<b>K</b>  59-inch water hoses, 4/6 tap connectors X2 sets	<b>L</b>  62-inch drainpipe X1 set	<b>M</b>  Overflow pipe X1 set	<b>N</b>  3-part hair filter and drain X1 set	<b>O</b>  Grooming loop hooks X3 sets

### 4. ASSEMBLY INSTRUCTIONS

#### STEP 1

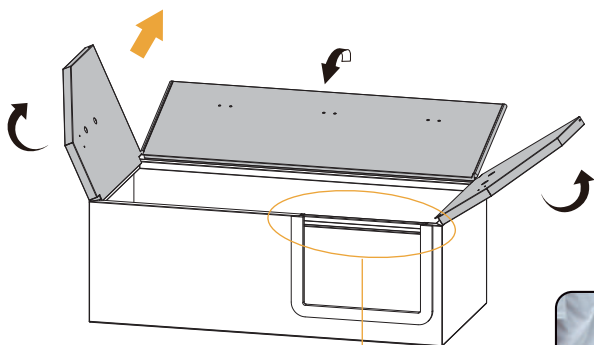


Press down to lock brake will not move

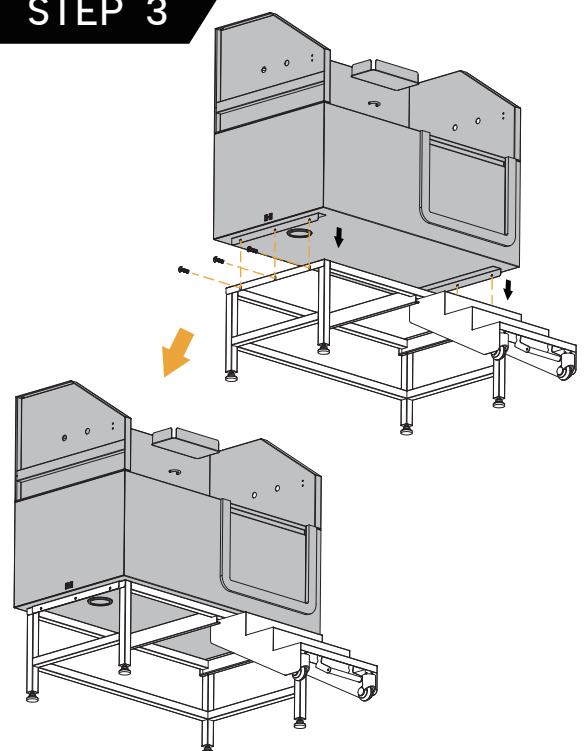


Lift to release brake ready to roll

#### STEP 2



#### STEP 3

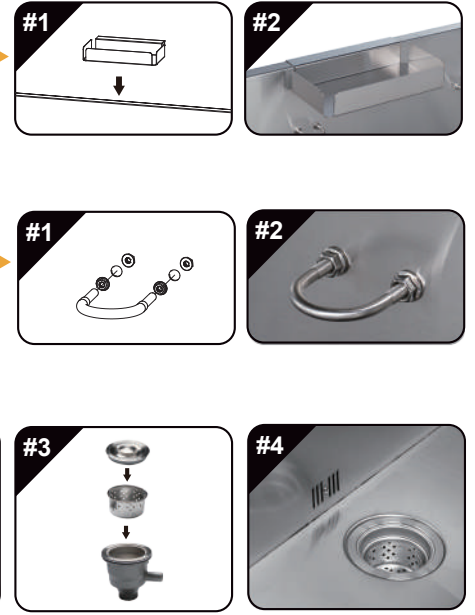
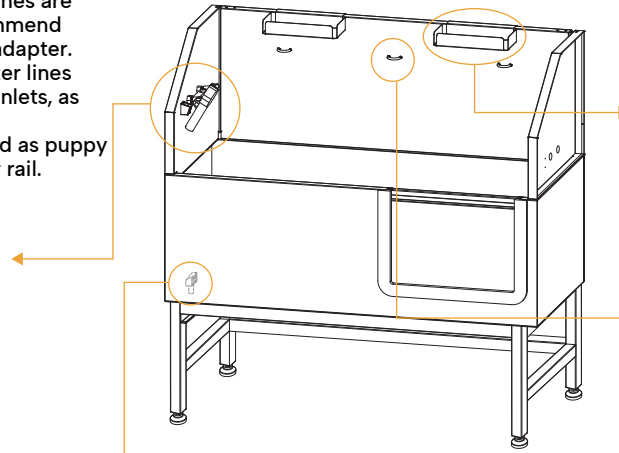
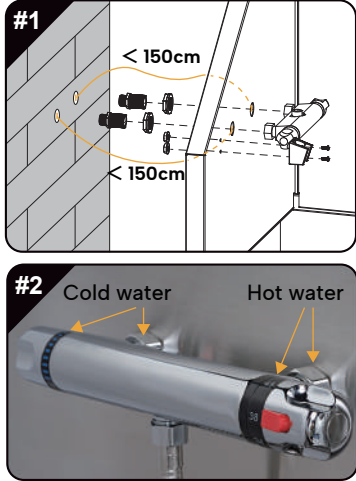


## STEP 4



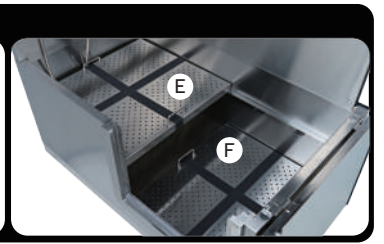
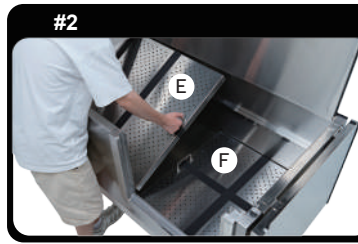
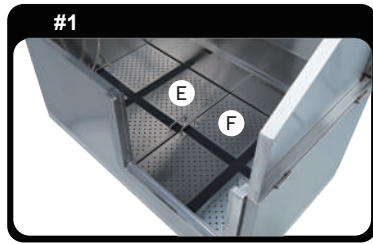
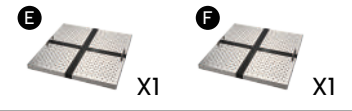
### ★ Caution:

1. The standard hot and cold water hoses in this kit are 59 inches long. If your water lines are more than 59 inches away, we recommend purchasing an extended water pipe adapter.
2. Please match the hot and cold water lines and hoses with the matching faucet inlets, as marked in the diagram.
4. Floor basin covers can also be used as puppy boosters, when elevated on the inner rail.



## STEP 5

### ★ Optional Usage Modes for Standing Racks



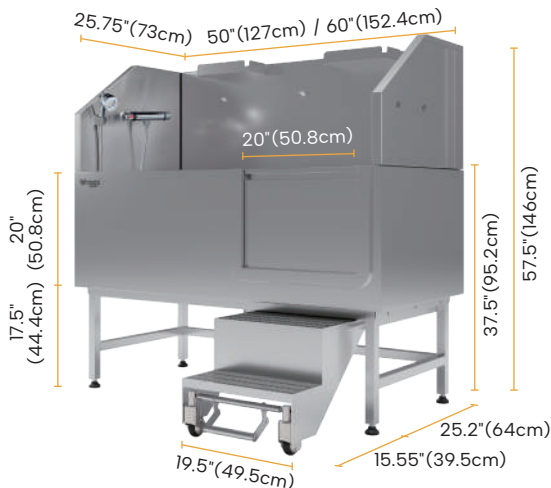
### Safety Tips:

- 1. Check space between the splash guards and ceiling before installation and assembly.
- 2. Adjust and stabilize feet for even balance before loading animals into the tub.

**\*\* NEVER LEAVE ANIMALS ON UNATTENDED. ALWAYS MONITOR FOR SAFETY \*\***

## 5. TABLE DIMENSIONS

### WZ-230N



### WZ-230NL

