

Waggz[®]

Built to impress and ready to work – equipment by and for pet groomers

WZ-929 User Manual

Waggz Charge-Bright
LED Grooming Table with Outlets



1. TECHNICAL DATA SHEET

WZ-929

Table Height (excluding arm)	12 – 42 in 30.5 – 106.7 cm	Tabletop Size	50 x 26 x 0.47 in 127 x 66 x 1.2 cm
Height Change Speed	0.8 in/s 2.1 cm/s	Tabletop Material	Frosted, tempered glass with a silicone mat
Lift Mechanism	Denmark Electric Actuator 6000N	Power Rating	110 – 240V Max 8A / 190W
Max Weight Capacity	265 lb 120 kg	Product Net Weight	163 lb 74 kg
Plug Maximums	1500W power 12A current	Flammability Rating	UL94V-2

2. CONTACT INFORMATION

Thank you for your purchase! This quick-start guide will help you get the most out of your new Waggz grooming table. If you have any questions, need replacement parts, or want to purchase additional products, just get in touch. We're here to help:

Visit 910 Canal Pl, City of Industry, CA 91746
Call 626-549-1212
Email info@waggz.com
Follow @waggzgrooming

3. GENERAL GUIDANCE

UPON ARRIVAL

Please carefully examine your grooming table and review the packing list. If you notice any missing parts or damaged components, notify Waggz immediately.

Do not attempt to disassemble the table before contacting Waggz.

CLEANING, CARE, AND MAINTENANCE

Waggz grooming tables are built to impress and ready to work. Regular cleaning and routine maintenance will keep it that way! Follow these steps to extend the life of your table and protect your Waggz 2-year warranty:

WORKING CONDITIONS

Cool-down periods: rest for 18 minutes after 2 minutes of continuous lifting and lowering

Temperature: avoid extreme cold (<40°F) and extreme heat (>104°F)

Humidity: avoid extreme dryness (<20%) and extreme humidity (>90%)

Altitude: avoid extreme altitudes (1.86 miles above sea level)

Air pressure: performs best between 700 and 1060 hPA

DAILY CLEANING

Use a damp cloth or soft brush and neutral detergent to clean the tabletop. Stains should be promptly treated with 1 part ethyl alcohol to 20 parts water, then wipe clean.

QUARTERLY INSPECTION

- Complete a visual inspection of all equipment, including controls and hydraulic mechanism
- Check the tightness and state of wear on all screws, bolts, bushings, and pins
- Check for leaks, then wipe off any lubrication residue around gas springs and pistons
- Check the stability and installation of all adjustable components
- Observe the lift mechanism to check for unusual sounds, vibrations, and oscillations

NON-ROUTINE MAINTENANCE

- For safety reasons and to avoid invalidating the warranty, Waggz alone must diagnose and organize action for any faults relating to the hydraulic pistons, electronic lift system, or LEDs.
- Maintenance technicians must be familiar with the contents of this instruction booklet and may only use original Waggz parts and components.
- Always complete a full safety inspection of the table after rough handling, falls, drops, or bumps.



WARNING

- IF YOU EVER HAVE SAFETY CONCERNS ABOUT THE CONDITION OF COMPONENTS, IMMEDIATELY DISABLE THE EQUIPMENT TO PREVENT USE UNTIL SAFETY RISKS HAVE BEEN REMOVED OR RESOLVED.
- IMMEDIATELY RECORD AND REPORT ANY DEFECTS OR DAMAGES DIRECTLY TO THE MANUFACTURER.

4. PACKING LIST

A



Grooming table with 2 control pedals,
1 class II control box, 1 electric actuator,
and 4 adjustable feet
X1 set

B



Adjustable grooming arms
X2 sets

C



Nylon grooming loops
X4 pcs

D



Spring washers
X8 pcs

E



Flat metal washers
X8 pcs

F



8x12mm screws
X8 pcs

G



Allen key
X1 pc

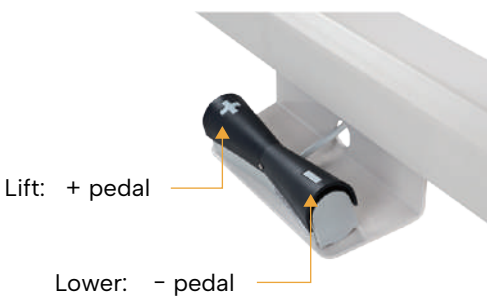
H



Transparent silicone mat
X1 pc

5. ASSEMBLY INSTRUCTIONS

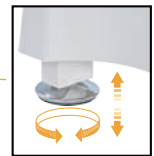
STEP 1



A



X1



STEP 2

B



X2

C



X4

D



X8

E



X8

F



X8

G



X1

H

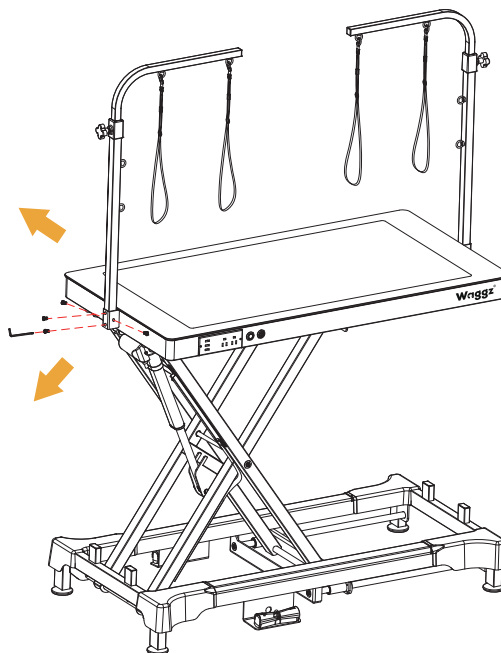
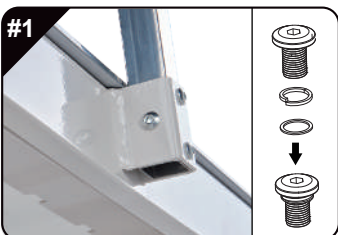


X1

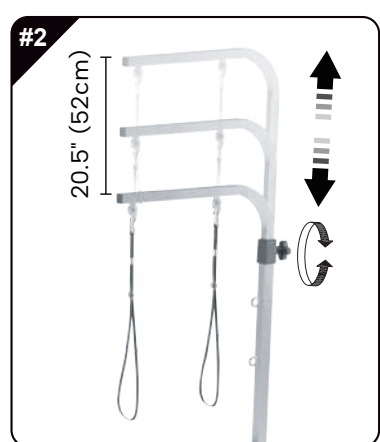
#3



#1



#2



1. Using the Allen key, screws, and washers as pictured, attach the grooming arms into position – one on each side of the table.
2. To adjust the arm height, simply twist the knob to loosen, lift or lower into position, and twist the knob to tighten.

6. POWER AND LED CONTROLS



USB charging ports

3-prong
1500W outlets

Color and Brightness

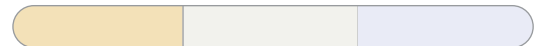
Press once to change the color mode

Press and hold to cycle through brightness settings

Power

Press once to
turn LEDs on or off

3 Color Modes



Warm

Neutral

Cool

Color Temperature



3000K

6000K

Stepless Brightness



10%

100%

Safety Tips:

- 1. Check space between the grooming arms and ceiling before raising the table to full height.
- 2. Support the grooming arm with one hand while loosening the knob and adjusting height.
- 3. Look for objects and obstructions under the table before lowering or adjusting height.
- 4. Adjust and stabilize feet for even balance before loading animals onto the table.

**** NEVER LEAVE ANIMALS ON UNATTENDED. ALWAYS MONITOR FOR SAFETY ****

7. TABLE DIMENSIONS

