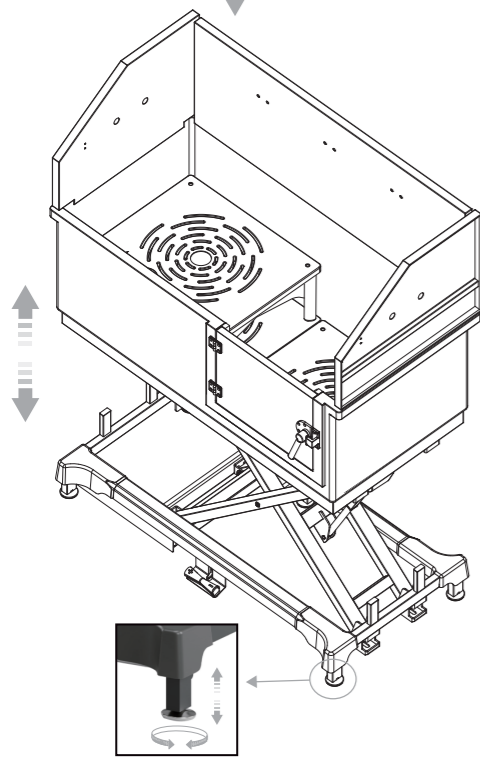
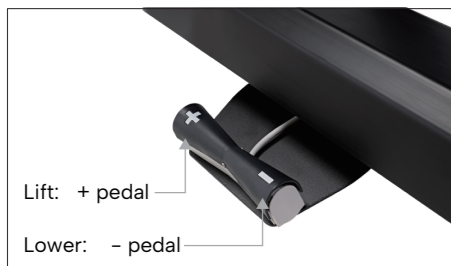
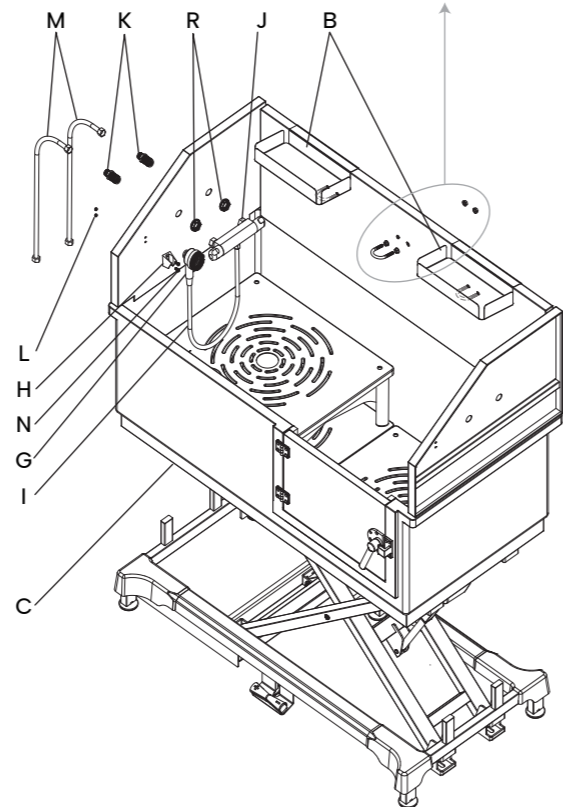
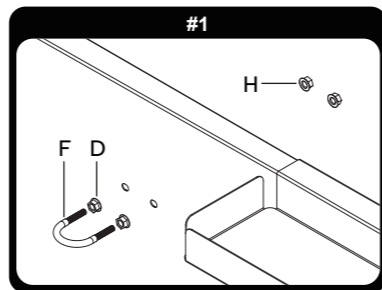


**STEP 3**



**STEP 4**

- B** X2
- C** X1
- D** X12
- F** X3
- G** X1
- H** X1
- I** X1
- J** X1
- K** X2
- L** X2
- M** X2
- N** X2
- O** X2

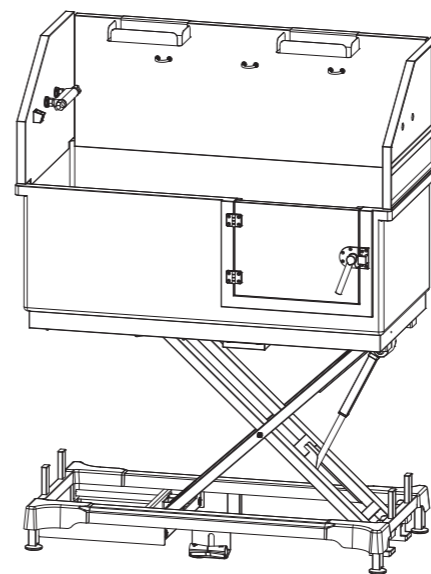


**Waggz®**

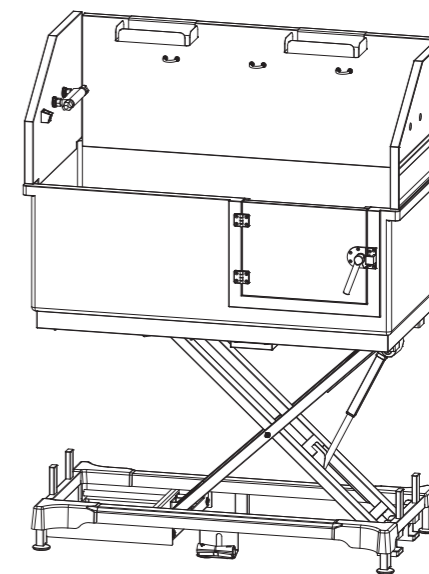
Built to impress and ready to work – equipment by and for pet groomers

**WZ-230E / WZ-230E-BLK / WZ-230EL / WZ-230EL-BLK**  
**User Manual**

**Waggz Power-Lock**  
 Electric Tub with Pull-Out Door  
 WZ-230E White and Black



**Waggz XL Power-Lock**  
 XL Electric Tub with Pull-Out Door  
 WZ-230EL White and Black



The image shown here is indicative only. If there is inconsistency between the image and the actual product, the actual product shall govern.

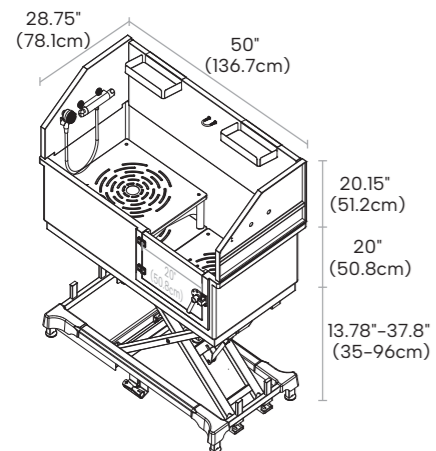
**Safety Tips:**

- 1. Check space between the splash guards and ceiling before installation and assembly.
- 2. Adjust and stabilize feet for even balance before loading animals into the tub.

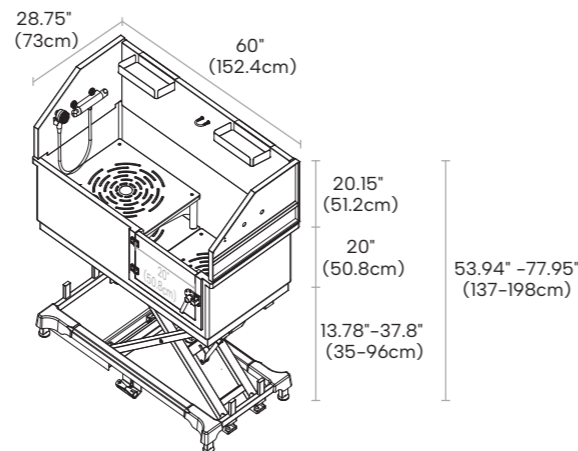
**\*\* NEVER LEAVE ANIMALS ON UNATTENDED. ALWAYS MONITOR FOR SAFETY \*\***

**5. TABLE DIMENSIONS**

**Power-Lock WZ-230E**



**Power-Lock XL WZ-230EL**



**1. TECHNICAL SPECS**

WZ-230E White and Black			
Basin Size	50 x 28.75 in , 127 x 73 cm	Door Style	Pull out
Adjustable Height	13 – 37 in , 33 – 94 cm	Door Width	16 inches , 50.8cm
Height Change Speed	0.7 in/s , 1.8 cm/s	Frame Material	Powder-coated stainless steel
Lift Mechanism	Denmark Electric Actuator 6000N	Power Rating	110 – 240V , Max 8A / 190W
Max Weight Capacity	275 lb , 125 kg	Product Net Weight	308 lb , 140 kg (4-person lift)
WZ-230EL White and Black			
Basin Size	60 x 28.75 in , 152.4 x 73 cm	Door Style	Pull out
Adjustable Height	13 – 37 in , 33 – 94 cm	Door Width	20 inches , 50.8 cm
Height Change Speed	0.7 in/s , 1.8 cm/s	Frame Material	Powder-coated stainless steel
Lift Mechanism	Denmark Electric Actuator 6000N	Power Rating	110 – 240V , Max 8A / 190W
Max Weight Capacity	275 lb , 125 kg	Product Net Weight	352 lb , 160 kg (6-person lift)

## 2. CONTACT INFORMATION

Thank you for your purchase! This quick-start guide will help you get the most out of your new Waggz grooming tub. If you have any questions, need replacement parts, or want to purchase additional products, just get in touch!

Visit 910 Canal Pl, City of Industry, CA 91746  
 Call 626-549-1212  
 Email info@waggz.com  
 Follow @waggzgrooming

## 3. GENERAL GUIDANCE

### UPON ARRIVAL

Please carefully examine your grooming tub and review the packing list. If you notice any missing parts or damaged components, notify Waggz immediately. Do not attempt to disassemble the table before contacting Waggz.

### CLEANING, CARE, AND MAINTENANCE

Waggz grooming tubs are built to impress and ready to work. Regular cleaning and routine maintenance will keep it that way! Follow these steps to extend the life of your tub and protect your Waggz 2-year warranty:

### WORKING CONDITIONS

Temperature: avoid extreme cold (<40°F) and extreme heat (>104°F)  
 Humidity: avoid extreme dryness (<20%) and extreme humidity (>90%)

### DAILY CLEANING

Remove hair and dander from the tub, then wipe clean with a mild detergent. Please avoid using anti-grease detergents and citrus-based cleansers, which may damage the finish on your tub. Stains should be promptly treated with 1 part ethyl alcohol to 20 parts water, then rinse well. Dry all surfaces between uses.

### QUARTERLY INSPECTION

- Complete a visual inspection of all equipment and accessories
- Check the tightness and state of wear on all screws, bolts, bushings, and pins
- Check that wheels are attached securely and roll smoothly with clean treads
- Check the stability and installation of all adjustable components
- Check that the foot lock correctly activates the brake and works efficiently

### NON-ROUTINE MAINTENANCE

- For safety reasons and to avoid invalidating the warranty, Waggz alone must diagnose and organize action for any faults relating to the roll-out stair casters and brake.
- Maintenance technicians must be familiar with the contents of this instruction booklet and may only use original Waggz parts and components.
- Always complete a full safety inspection of the tub after rough handling, falls, drops, or bumps.

## ⚠ WARNING

- IF YOU EVER HAVE SAFETY CONCERNS ABOUT THE CONDITION OF COMPONENTS, IMMEDIATELY DISABLE THE EQUIPMENT TO PREVENT USE UNTIL SAFETY RISKS HAVE BEEN REMOVED OR RESOLVED.
- IMMEDIATELY RECORD AND REPORT ANY DEFECTS OR DAMAGES DIRECTLY TO THE MANUFACTURER.

## 3. PACKING LIST

<b>A</b> X1	<b>B</b> X2	<b>C</b> X1	<b>D</b> X12	<b>E</b> X1	<b>F</b> X3
<b>G</b> X1	<b>H</b> X1	<b>I</b> X1	<b>J</b> X1	<b>K</b> X2	<b>L</b> X2
<b>M</b> X2	<b>N</b> X2	<b>O</b> X2	<b>P</b> X1	<b>Q</b> X1	<b>R</b> X2
					<b>S</b> X1

71 x 60cm (27.95" x 23.62")  
 58.5 x 47cm (23.03" x 18.5")

⚠ WZ-230EL: included **R** x2  
 WZ-230E: included **R** x1 + **S** x1

## 4. ASSEMBLY INSTRUCTIONS

### STEP 1

### STEP 2